

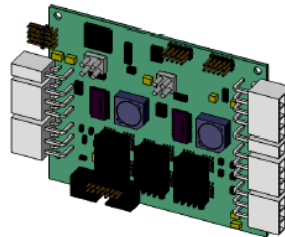


## Intelligent Battery and Power System (IBPS)™

### XP-04SR/FR Battery Management Module

#### Data Sheet

The IBPS XP-04SR/FR gives equipment manufacturers a very small, drop-in solution for adding autonomous battery-based power to new or existing designs. For size and weight sensitive applications, the XP-04xx battery packs, based on Lithium-Ion chemistry, provides up to five times the power, at one-quarter of the weight, of comparable lead-acid battery systems. The XP-04xx can support higher power requirements than the MP-04xx and also provides 380 Watt hours of rechargeable Lithium Ion battery power with all the battery channels fully populated.



XP-04SR (Small Outline) Model

**HIGH  
CURRENT  
APPLICATIONS**



XP-04FR (Full Size) Model

← Extended PCB

#### Basic Data for XP-04SR/FR

- > Module Sizes XP-04FR 3.8" x 3.6" and XP-04SR 2.9" x 3.6"
- > Max Power Limits: Current 26.5 Amps; Power 320 Watts
- > Charge Current (Per Battery 4 Amps; Per Module 8 Amps)
- > Charge DC Voltage 18-24 Volts; Charging Simultaneously Level III
- > Battery Packs Supported 1-4 Smart Packs (Standard Packs 14.4V 95 Whr Pack)
- > Standard Packs are 14.4V Nominal (Discharge Range 16.8 - 12 Volts)
- > Controller Supports Both Mini Bats and Full Bats Monitoring Software
- > RoHS Compliant; Visit OceanServer Download Page for Drawings and 3D Models

#### Optional DC-DC Converter Modules (Regulated Outputs)

- > DC-123SR provides ATX Voltages 3.3V @10A Max, 5V @10A Max, 12V @ 12A Max (-12V standard)
- > DC2U-1VR provides Regulated 19V, 24V, 28V or 48V (Jumper Selectable; 240 Watts Max)
- > DC1U-1V provides Regulated 24V or 28V (Factory Set; 75 Watts Max)

#### Additional Information

- > Supports the use of a LCD for visual verification of charge/load state

Note: The XP-04SR and XP-04FR are functionally identical

[www.ocean-server.com](http://www.ocean-server.com)

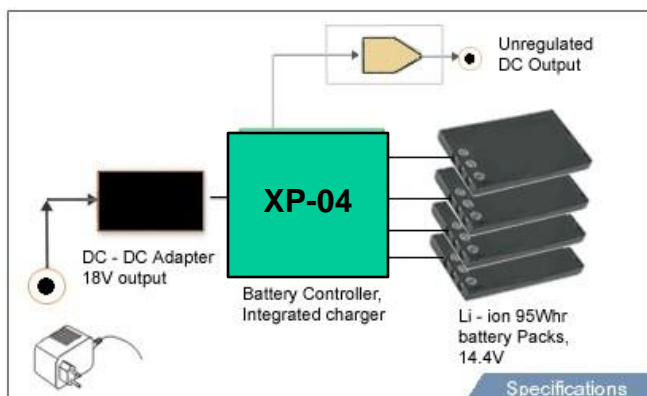
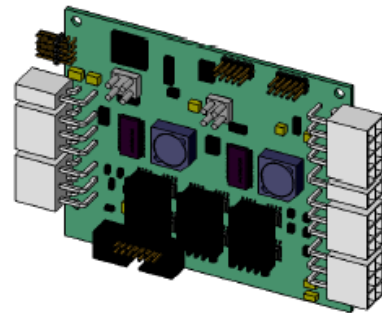
# XP Series Applications

The XP-04SR/FR modules can output up to 320 Watts of continuous power when used with four OceanServer 95 Watt Hour battery packs. The MP series modules offer a complete set of electronics that provide battery management and charging and optional high efficiency ATX Power supplies, DC-DC converters and Li-ion battery packs to power small portable devices or larger equipment. The XP-04xx modules are offered in two different sizes to fit virtually any mechanical design.

All of the OceanServer Battery Management modules have an RS232 communication port that provides complete power system information about all of the battery packs connected. This information includes, fuel gauge, current, voltage, amp-hours, run time to empty, time to full charge, and 20 other critical battery parameters on a pack by pack basis

Multiple XP-04xx modules can be combined into battery clusters providing plug-n-play modular building blocks that let you build very large battery power systems using small safe Li-ion battery packs. These systems are ideal for powering robots, medical equipment, portable equipment, homeland security or military devices or just about anything that needs power.

.....Make Any Device  
Battery Powered



Example configuration showing a XP-04SR  
with 380 Watt Hours of Lithium Ion  
Rechargeable battery power



MiniBats Software

[www.ocean-server.com](http://www.ocean-server.com)

**OceanServer**  
TECHNOLOGY, INC